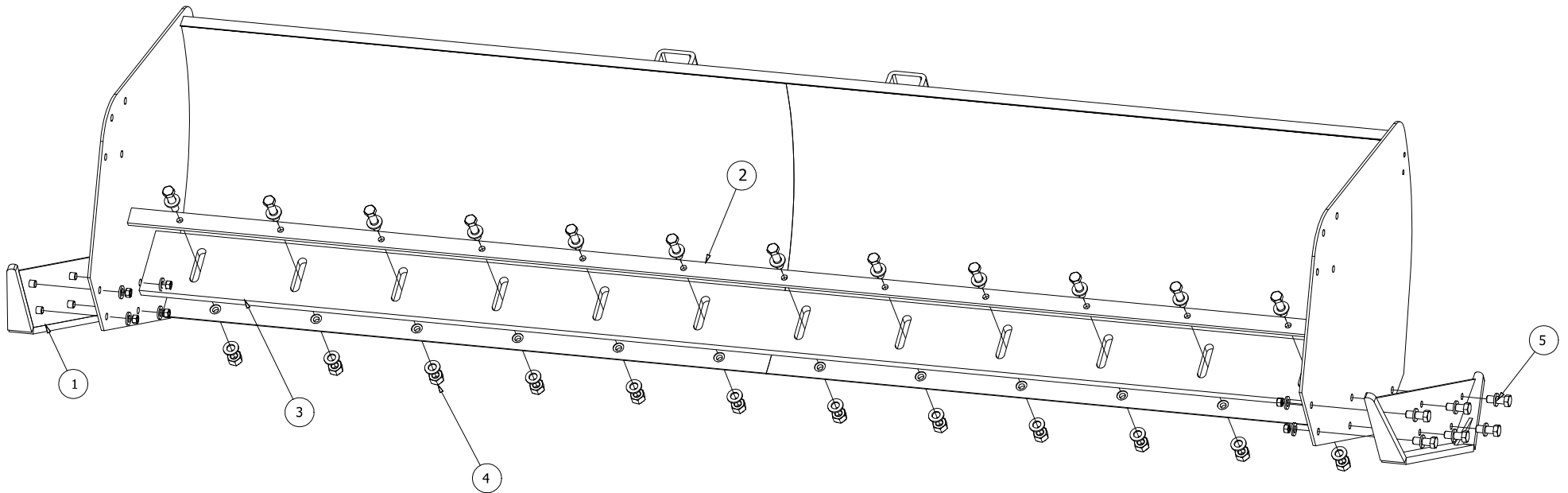


# BHA200-XX\* Series

## Rubber Edge Box Plow

### Parts List

BHA200-XX REPLACEMENT PARTS LIST			
ITEM	QTY	PART NUMBER	DESCRIPTION
1	2	BAA002	WEAR SHOE
2	2	CAA014-XX	HOLD DOWN BAR
3	1	RAA001-XX	RUBBER CUTTING EDGE
4	AS PER LENGTH	KAA001	RUBBER CUTTING EDGE FASTENER KIT
5	12	KAA002	WEAR SHOE FASTENER KIT



LAST UPDATED ON 22.AUG.2006



\* BHA200 (-XX) SUFFIX DENOTES STANDARD LENGTHS OF 10', 12', 14' AND CUSTOM LENGTHS  
 E.G.: BHA200-10 DENOTES A 10' BHA200 RUBBER EDGE BOX PLOW

COPYRIGHT LEDEX INDUSTRIES. LEDEX INDUSTRIES, AVALANCHE AND THE AVALANCHE LOGO ARE REGISTERED TRADE MARKS OF ADEPCO TECHNOLOGIES CORP.