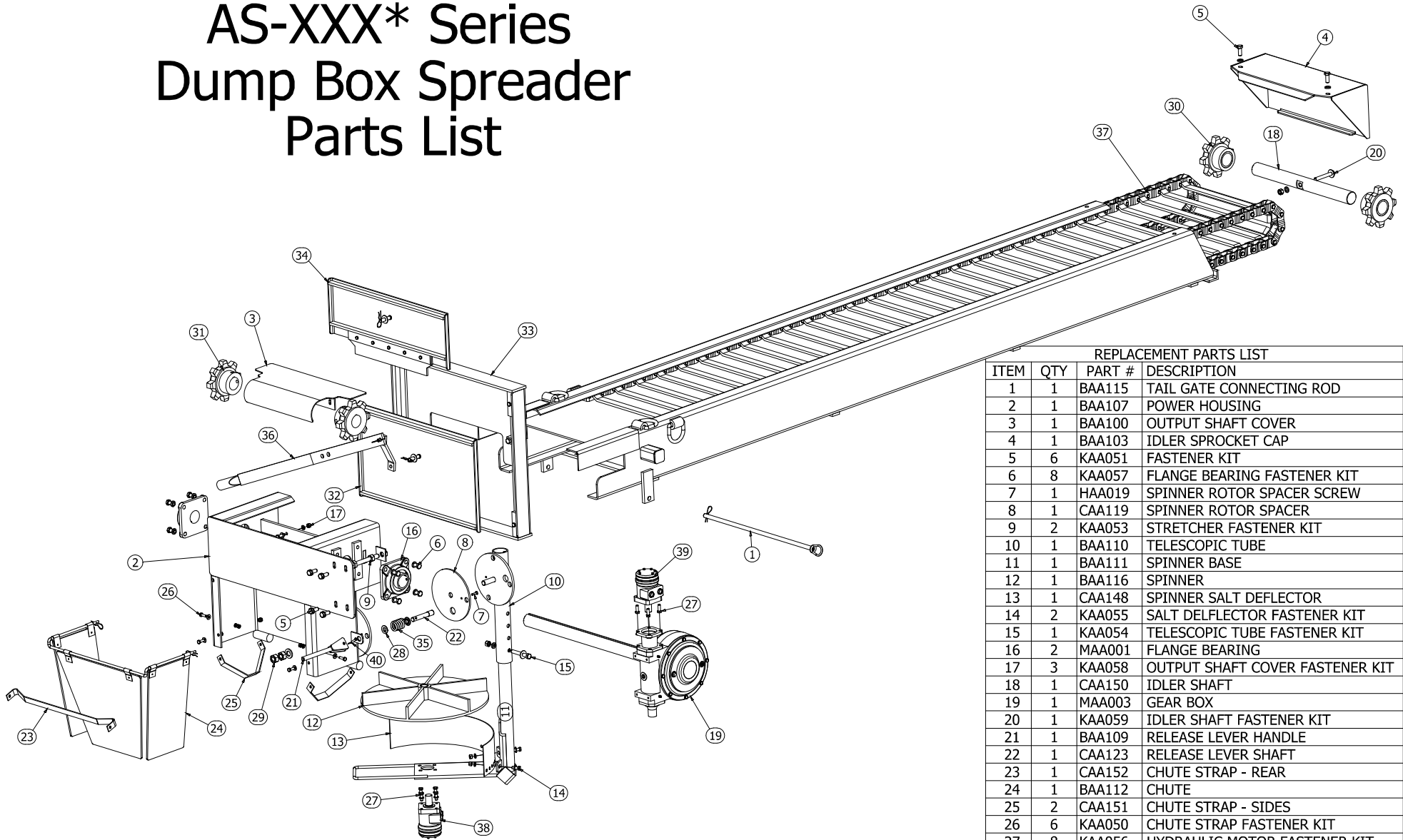


AS-XXX* Series Dump Box Spreader Parts List



REPLACEMENT PARTS LIST

ITEM	QTY	PART #	DESCRIPTION
1	1	BAA115	TAIL GATE CONNECTING ROD
2	1	BAA107	POWER HOUSING
3	1	BAA100	OUTPUT SHAFT COVER
4	1	BAA103	IDLER SPROCKET CAP
5	6	KAA051	FASTENER KIT
6	8	KAA057	FLANGE BEARING FASTENER KIT
7	1	HAA019	SPINNER ROTOR SPACER SCREW
8	1	CAA119	SPINNER ROTOR SPACER
9	2	KAA053	STRETCHER FASTENER KIT
10	1	BAA110	TELESCOPIC TUBE
11	1	BAA111	SPINNER BASE
12	1	BAA116	SPINNER
13	1	CAA148	SPINNER SALT DEFLECTOR
14	2	KAA055	SALT DEFLECTOR FASTENER KIT
15	1	KAA054	TELESCOPIC TUBE FASTENER KIT
16	2	MAA001	FLANGE BEARING
17	3	KAA058	OUTPUT SHAFT COVER FASTENER KIT
18	1	CAA150	IDLER SHAFT
19	1	MAA003	GEAR BOX
20	1	KAA059	IDLER SHAFT FASTENER KIT
21	1	BAA109	RELEASE LEVER HANDLE
22	1	CAA123	RELEASE LEVER SHAFT
23	1	CAA152	CHUTE STRAP - REAR
24	1	BAA112	CHUTE
25	2	CAA151	CHUTE STRAP - SIDES
26	6	KAA050	CHUTE STRAP FASTENER KIT
27	8	KAA056	HYDRAULIC MOTOR FASTENER KIT
28	2	CAA153	RELEASE SPRING WASHER
29	1	KAA061	SPINNER PIVOT FASTENER KIT
30	2	MAA005	IDLER SHAFT SPROCKET
31	2	MAA002	OUTPUT SHAFT SPROCKET
32	1	BAA104	LARGE GATE
33	1	BAA105	TAIL GATE FRAME
34	1	BAA113	SMALL GATE
35	1	CAA154	RELEASE LEVER SPRING
36	1	BAA114	TAIL GATE HANDLE
37	1	MAA006	CONVEYOR CHAIN
38	1	MAA007	HYDRAULIC MOTOR DH80
39	1	MAA008	HYDRAULIC MOTOR DH100
40	1	KAA062	LEVER HANDLE FASTENER KIT

LAST UPDATED ON 22.AUG.2006



*AS-XXX DENOTES LENGTHS OF 11'-0", 11'-7", 14'-6" AND 16'-0"
E.G.: AS-110 DENOTES A 11'-0" LENGTH SPREADER

