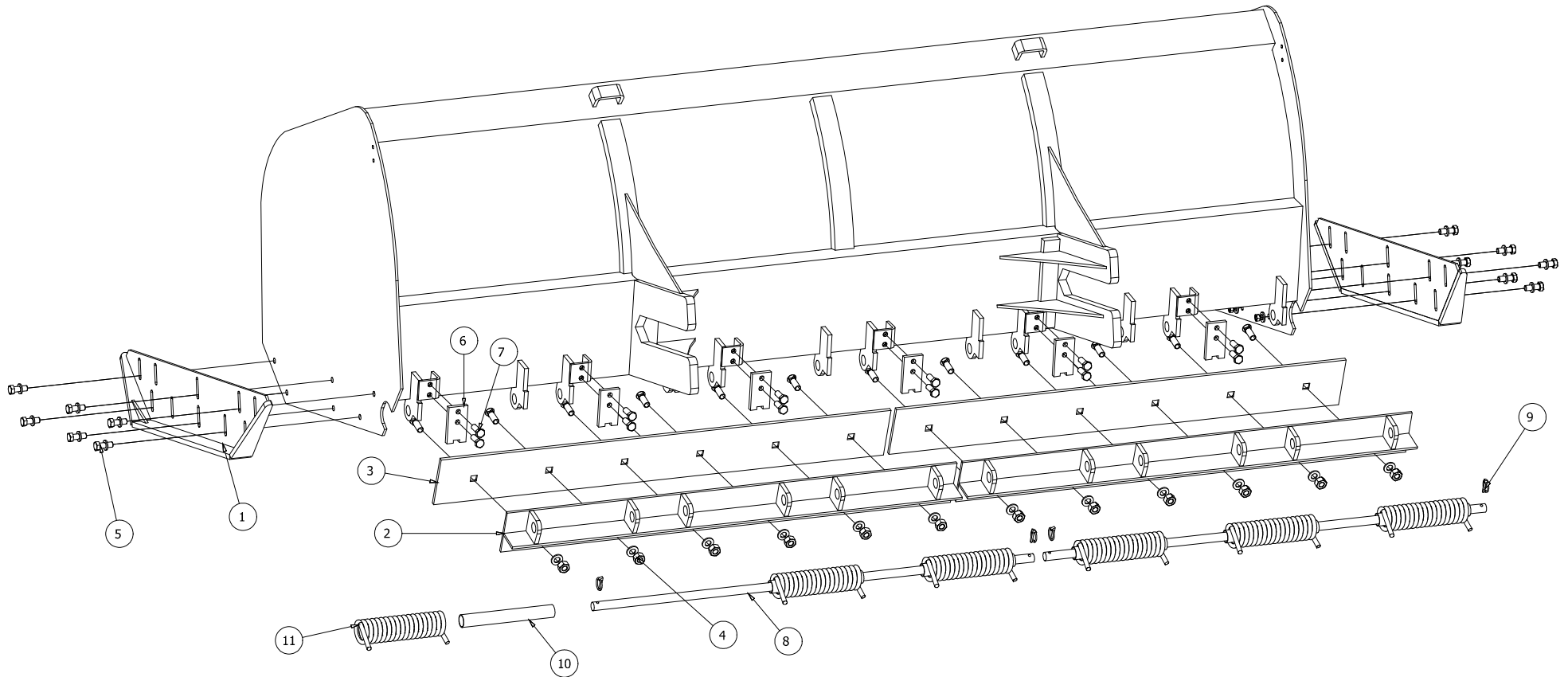


LDAT-XX* Series

Steel Trip Edge Box Plow

Parts List

LDAT-XX REPLACEMENT PARTS LIST			
ITEM	QTY	PART NUMBER	DESCRIPTION
1	2	BAA011	WEAR SHOE
2	2	BAA004-XX	T BAR
3	2	CAA029-XX	STEEL CUTTING EDGE
4	AS PER LENGTH	KAA004	STEEL CUTTING EDGE FASTENER KIT
5	12	KAA002	WEAR SHOE FASTENER KIT
6	AS PER LENGTH	CAA065	LDAT PRE-LOAD PLATE
7	AS PER LENGTH	KAA003	SPRING PRE-LOAD PLATE FASTENER KIT
8	2	CAA030-XX	TRIP EDGE ROD
9	4	HAA051	LOCK PIN
10	AS PER LENGTH	CAA033	SPRING SLEEVE
11	AS PER LENGTH	CAA032	SPRING



LAST UPDATED ON 22.AUG.2006



* LDAT (-XX) SUFFIX DENOTES STANDARD LENGTHS OF 12', 14', 16' AND CUSTOM LENGTHS
E.G.: LDAT-10 DENOTES A 10' LDAT STEEL TRIP EDGE PLOW

COPYRIGHT LEDEX INDUSTRIES. LEDEX INDUSTRIES, AVALANCHE AND THE AVALANCHE LOGO ARE REGISTERED TRADE MARKS OF ADEPCO TECHNOLOGIES CORP.