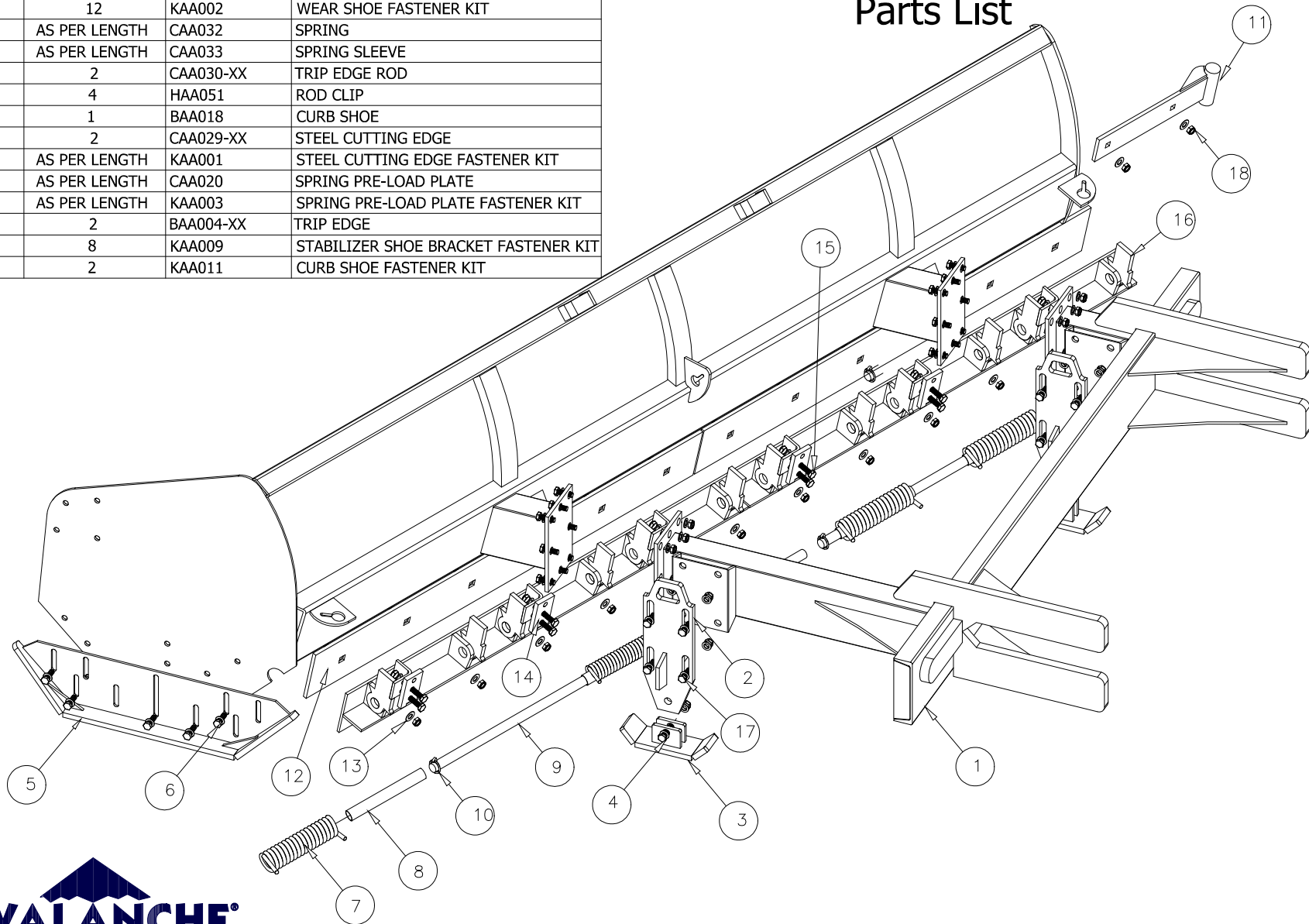


AARP-XX REPLACEMENT PARTS LIST			
ITEM	QTY	PART NUMBER	DESCRIPTION
1	1	BAA015	RECEIVER FRAME
2	2	BAA016	STABILIZER SHOE BRACKET
3	2	BAA017	STABILIZER SHOE
4	2	KAA010	STABILIZER SHOE FASTENER KIT
5	2	BAA003	WEAR SHOE
6	12	KAA002	WEAR SHOE FASTENER KIT
7	AS PER LENGTH	CAA032	SPRING
8	AS PER LENGTH	CAA033	SPRING SLEEVE
9	2	CAA030-XX	TRIP EDGE ROD
10	4	HAA051	ROD CLIP
11	1	BAA018	CURB SHOE
12	2	CAA029-XX	STEEL CUTTING EDGE
13	AS PER LENGTH	KAA001	STEEL CUTTING EDGE FASTENER KIT
14	AS PER LENGTH	CAA020	SPRING PRE-LOAD PLATE
15	AS PER LENGTH	KAA003	SPRING PRE-LOAD PLATE FASTENER KIT
16	2	BAA004-XX	TRIP EDGE
17	8	KAA009	STABILIZER SHOE BRACKET FASTENER KIT
18	2	KAA011	CURB SHOE FASTENER KIT

AARP-XX* Series

Steel Trip Edge Road Plow

Parts List



LAST UPDATED ON 22.AUG.2006



* AARP (-XX) SUFFIX DENOTES STANDARD LENGTHS OF 12' AND CUSTOM LENGTHS
E.G.: AARP-10 DENOTES A 10' AARP STEEL TRIP EDGE ROAD PLOW